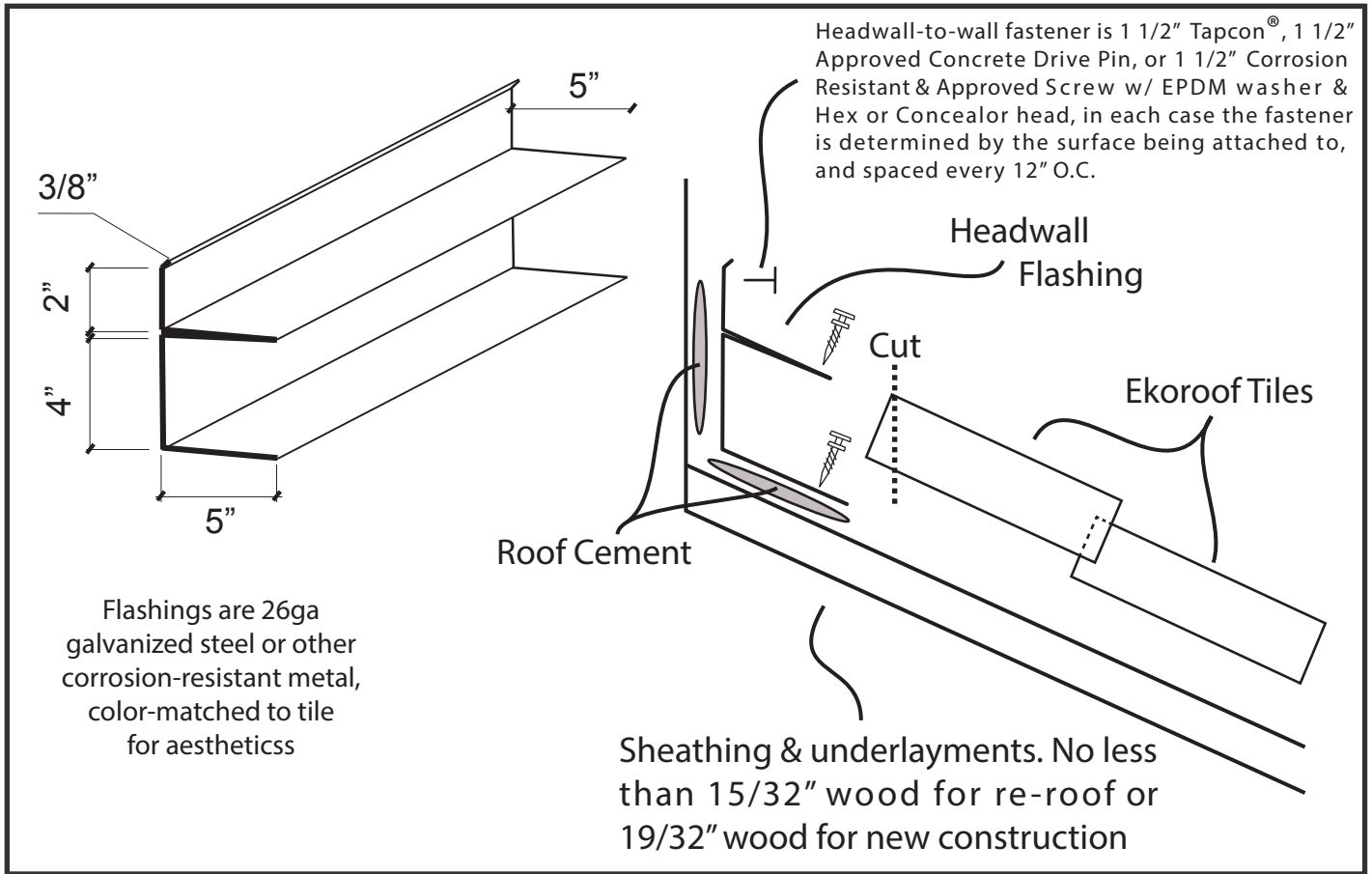


# Ekorooft LiteTile Headwall Flashing Installation Detail

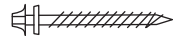


Headwall to Deck Fastener is #10, 1 1/2" wood point, Corrosion Resistant & Approved Screw w/ EPDM washer & Hex or Concealor head, installed every 12" O.C. Headwall to Ekorooft fastener is same type, but color-matched for aesthetics.

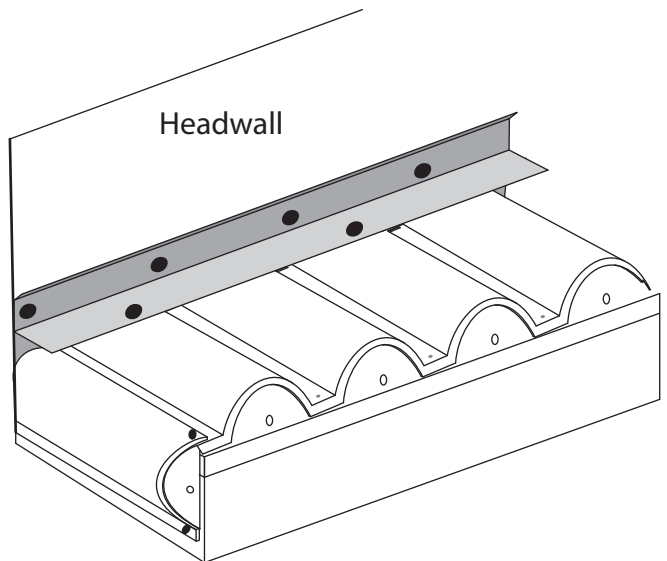
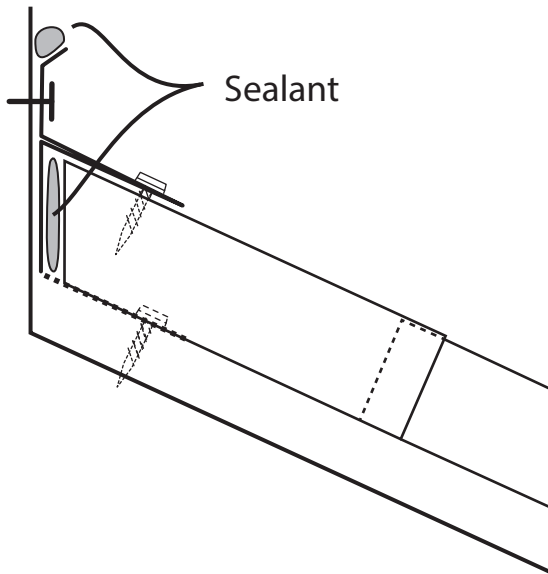
Concealor / Pancake Head



1/4" Hex Drive

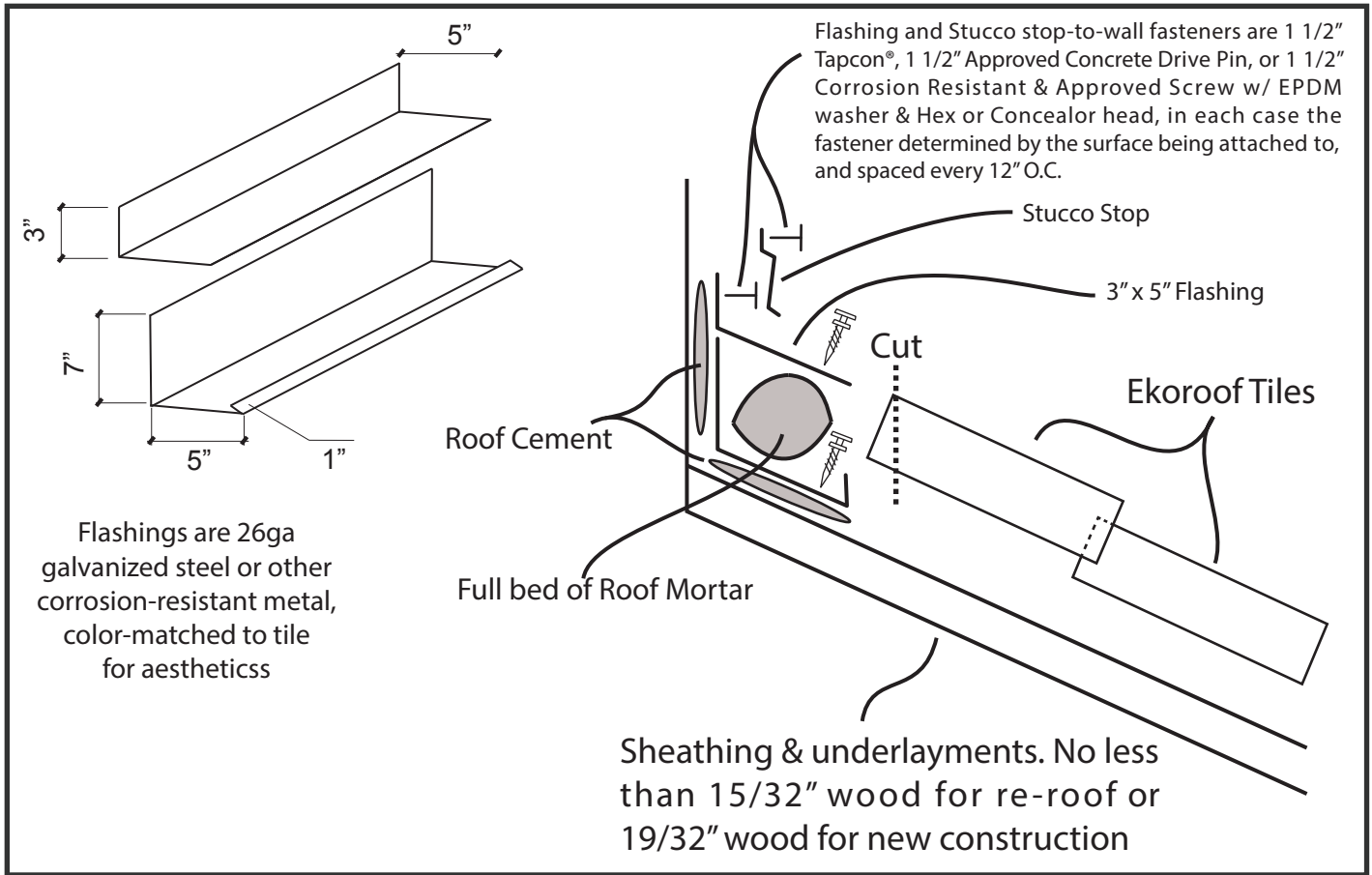


Install Headwall Flashing to the wall as specified, then fasten Ekorooft LiteTile panels abutting the inner part of the flashing. Seal Ekorooft tiles to the back end of the headwall with Ekorooft Sealant, NPC Sealants Solar Seal 900, or equivalent. Ekorooft tiles may be cut to fit flush against the back end of the flashing. Fasten flashing to high point of Ekorooft tiles every 20". Additional fasteners may be used at each contact point with tile, if desired.



drawings not to scale

# Ekorooft LiteTile Headwall Flashing Installation Detail

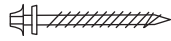


Headwall to Deck Fastener is #10, 1 1/2" wood point, Corrosion Resistant & Approved Screw w/ EPDM washer & Hex or Concealor head, installed every 12" O.C. Headwall to Ekorooft fastener is same type, but color-matched for aesthetics.

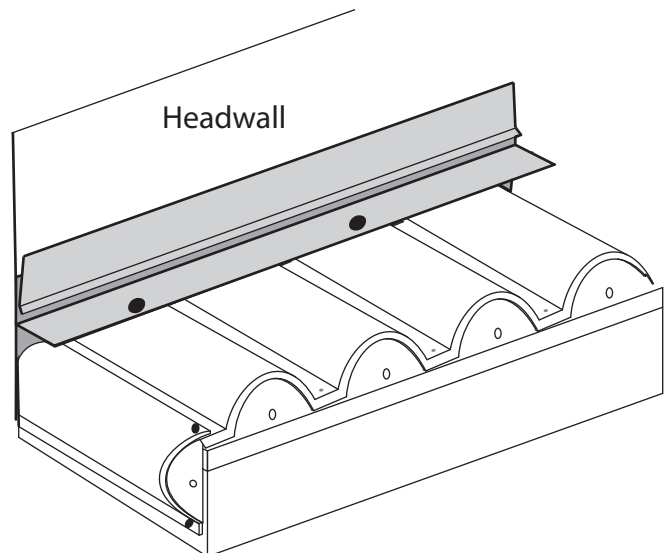
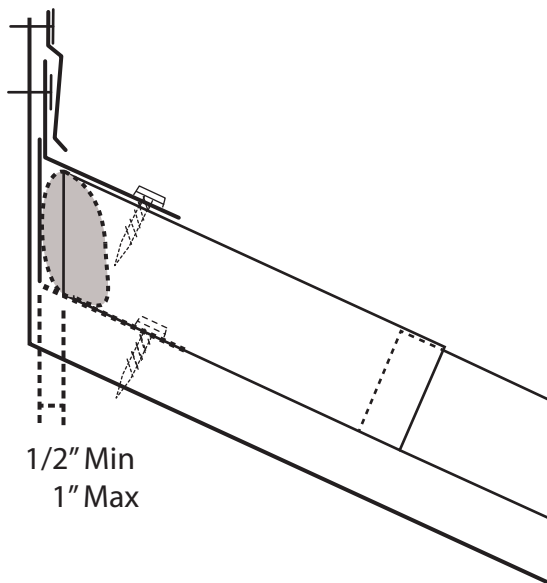
Concealor / Pancake Head



1/4" Hex Drive

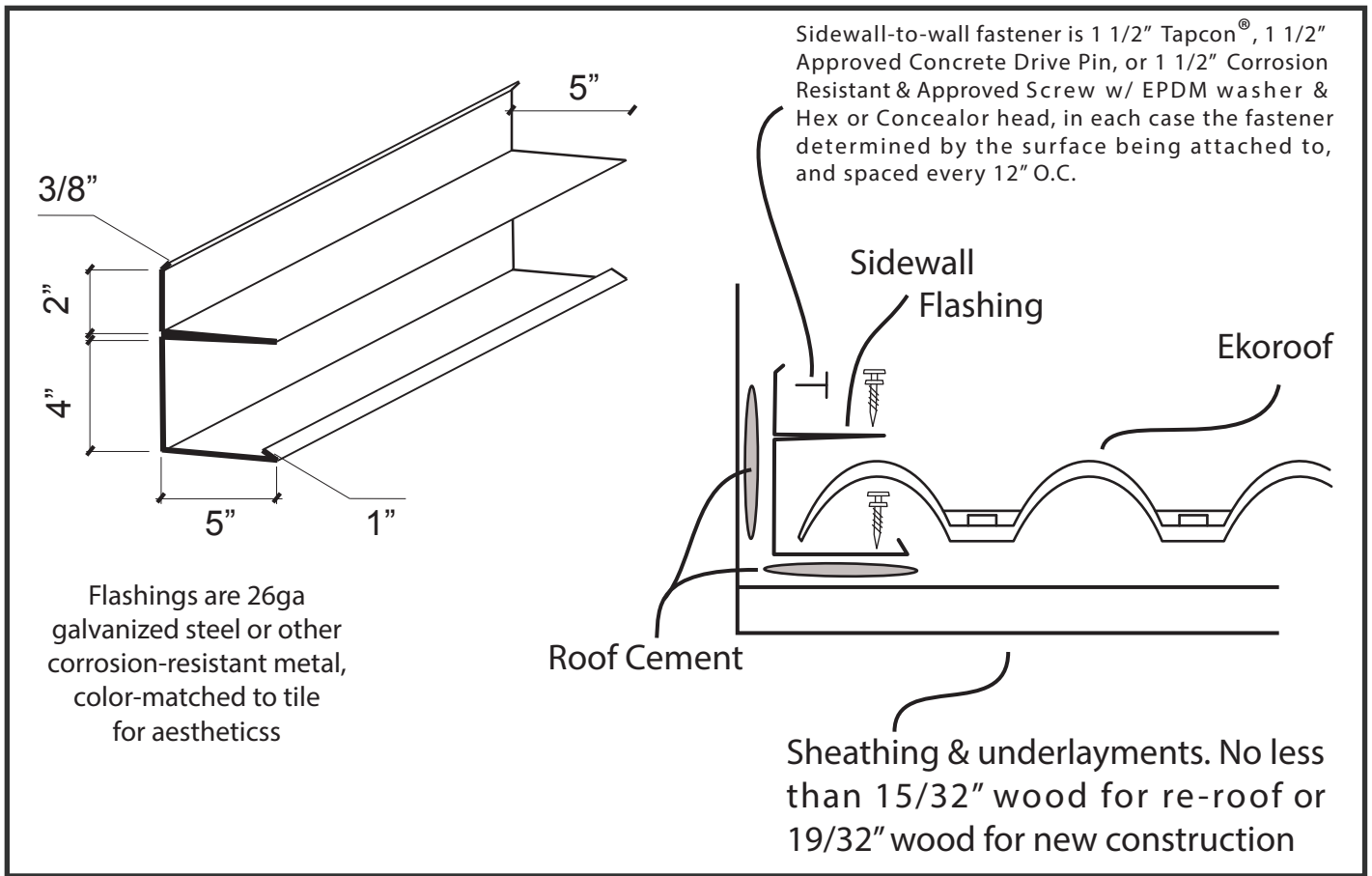


Install Flashings to the wall as specified, then apply a full bed of mortar to the junction of the deck and headwall, over the 5" x 7" flashing, and fasten Ekorooft LiteTile panels spaced at least 1/2", but not more than 1" away from the inner part of the flashing to allow the concrete bed to remain continuous. Fasten 5" x 7" flashing to high point of Ekorooft tiles every 20". Additional fasteners may be used at each contact point with tile, if desired.



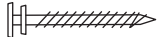
drawings not to scale

# Ekorooft LiteTile Sidewall Flashing Installation Detail

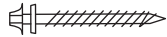


Sidewall to Deck Fastener is #10, 1 1/2" wood point, Corrosion Resistant & Approved Screw w/ EPDM washer & Hex or Concealor head, installed every 12" O.C. Sidewall to Ekorooft fastener is same type, but color-matched for aesthetics.

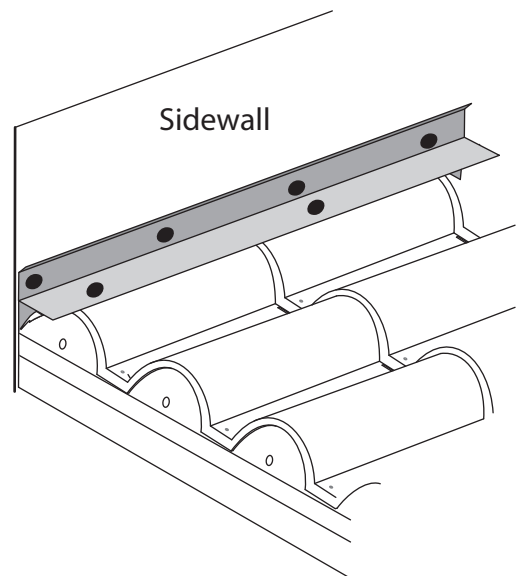
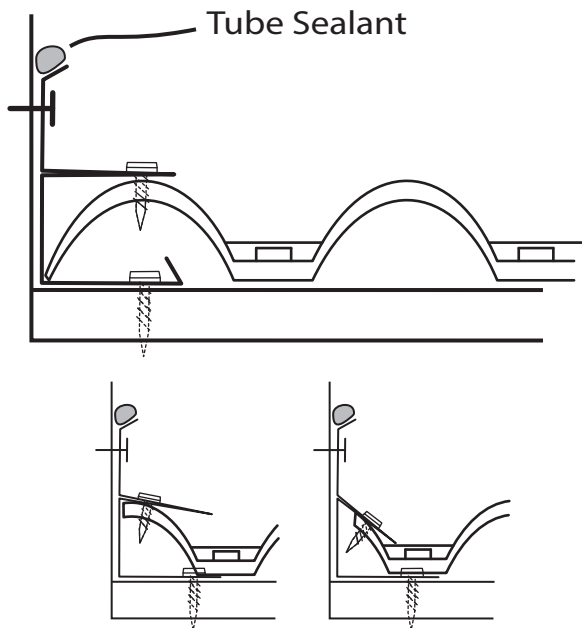
Concealor / Pancake Head



1/4" Hex Drive

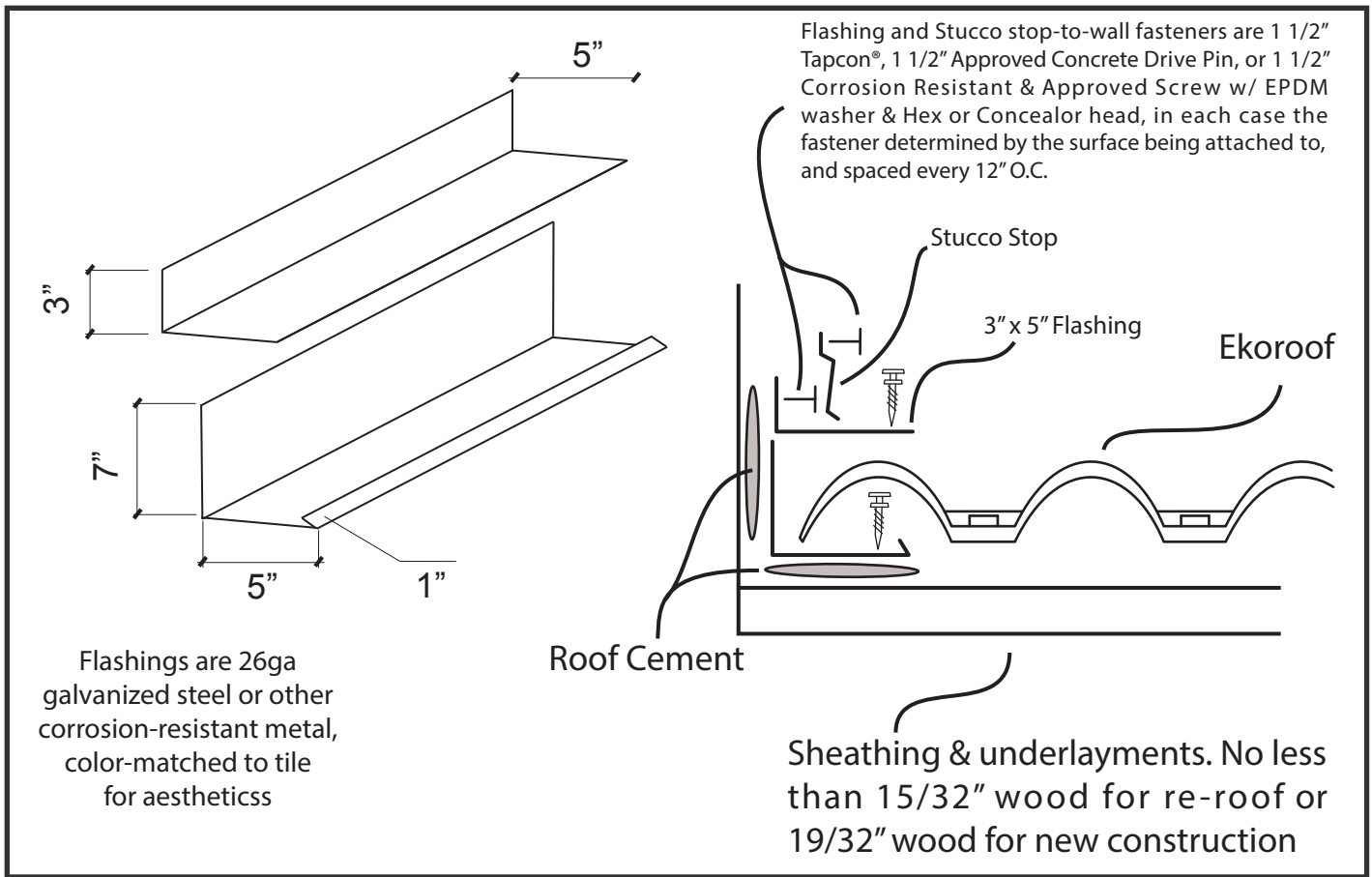


Install Sidewall Flashing to the wall as specified, then fasten Ekorooft LiteTile panels abutting the inner part of the flashing. Ekorooft tiles may be cut to fit flush against the back end of the flashing. Fasten flashing to high point of Ekorooft tiles every 20".



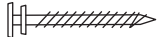
drawings not to scale

# Ekorooft LiteTile Sidewall Flashing Installation Detail

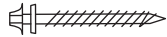


Sidewall to Deck Fastener is #10, 1 1/2" wood point, Corrosion Resistant & Approved Screw w/ EPDM washer & Hex or Concealor head, installed every 12" O.C. Sidewall to Ekorooft fastener is same type, but color-matched for aesthetics.

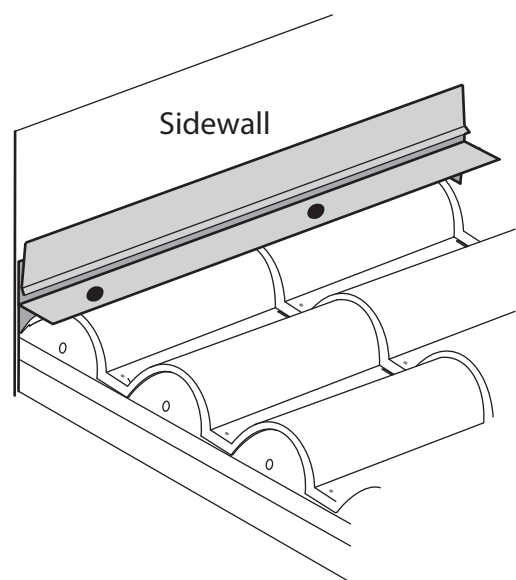
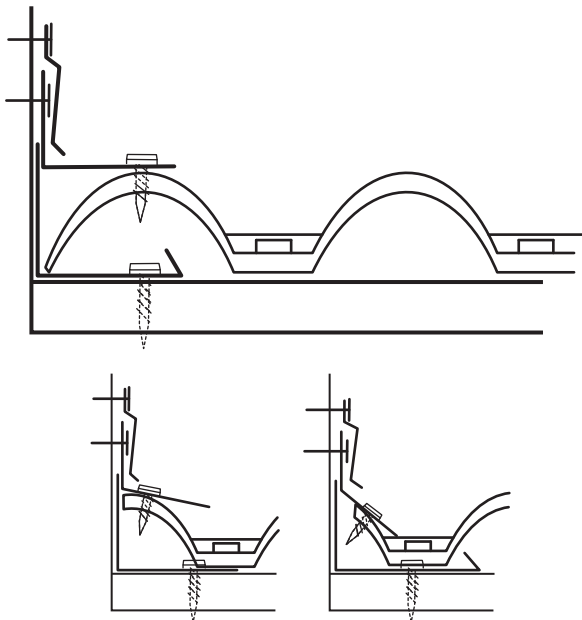
Concealor / Pancake Head



1/4" Hex Drive



Install Sidewall Flashing to the wall as specified, then fasten Ekorooft LiteTile panels abutting the inner part of the flashing. Ekorooft tiles may be cut to fit flush against the back end of the flashing. Fasten flashing to high point of Ekorooft tiles every 20".



drawings not to scale

# Ekorooft LiteTile Sidewall to Headwall Flashing Installation Detail

