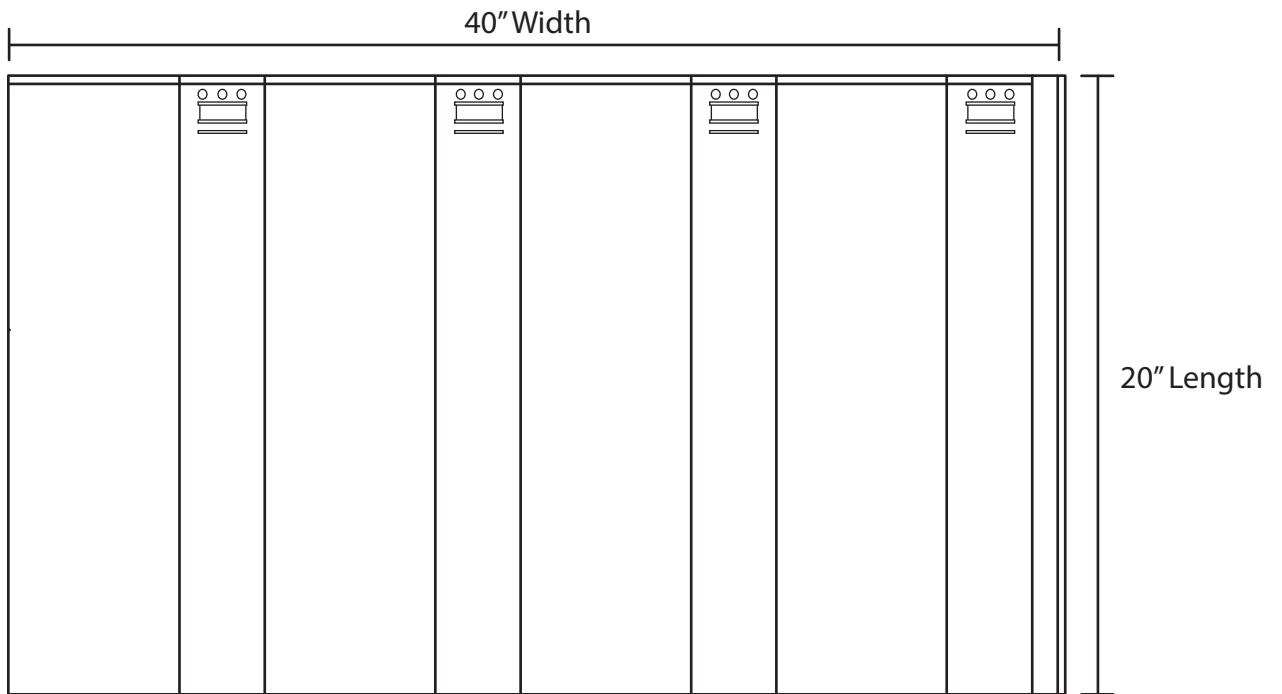
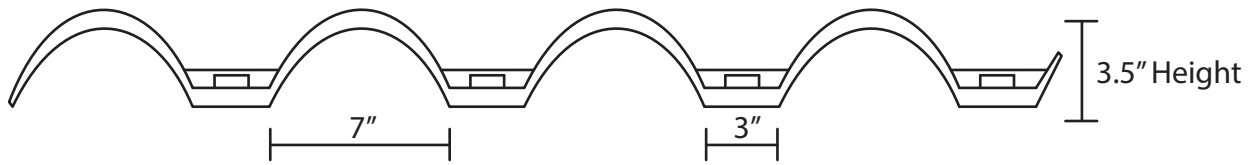
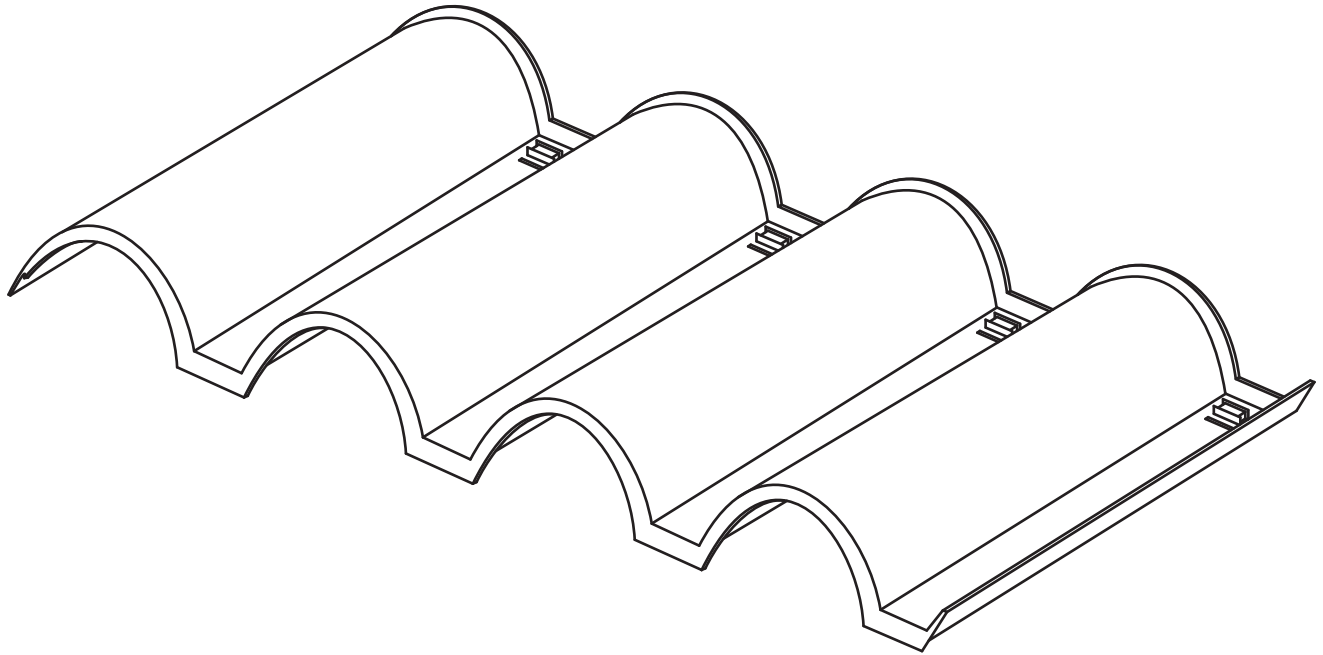


Ekorooft LiteTile Dimensions

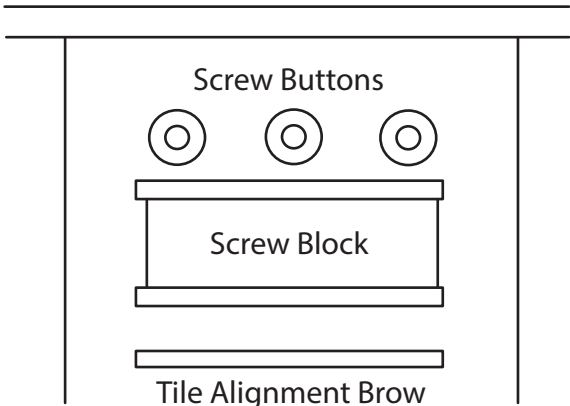
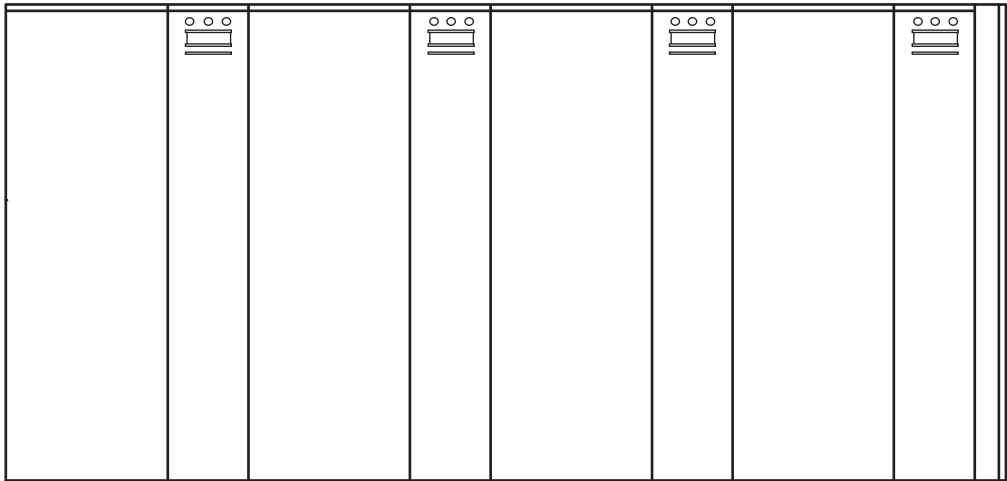


Weight per Panel: 3 kg / 6.61 lbs
Area per panel 800 in² / 5.55 ft²
Panels per Square: 20 (including overlap, for a 100 ft² covered area)
Weight per Square 59.96 kg / 132.2 lbs

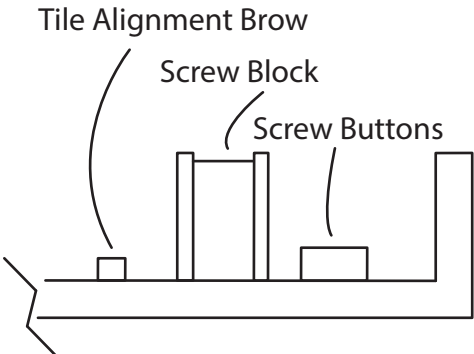
drawings not to scale

Ekoroof LiteTile Features - Top View Detail

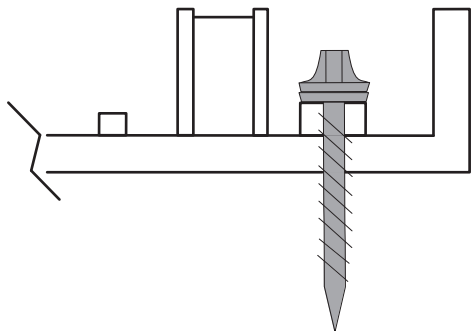
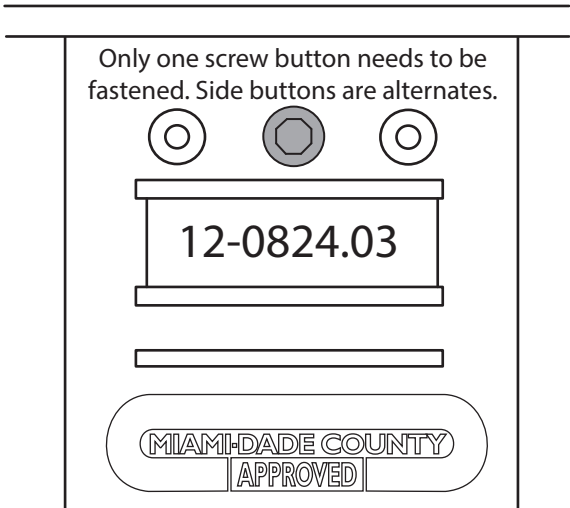
Top View of Tile



Top View



Side View



drawings not to scale